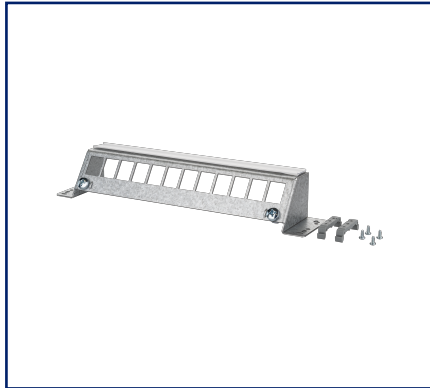


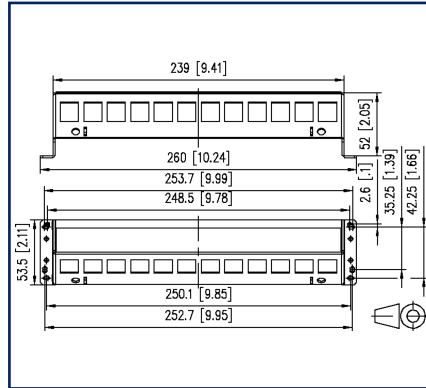
## Data sheet

### SmartConnect Patchpanel 12 port Keystone, unequipped

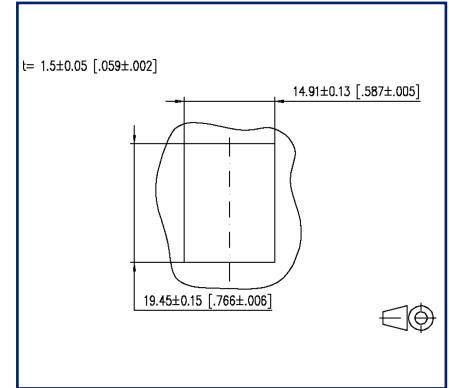
## Illustrations



Dimensional drawing



Cut-out



See enlarged drawings at the end of document

## Product specification

- empty module holder for receiving data, KOAX and fiber optic modules
- mounting type: Keystone
- mounting on standard rail (TH35) or on support frame or mounting plate screwable
- consisting of 1 module holder made of bent sheet metal and 2 milled plastic brackets universally applicable for all variants
- mounting the plastic brackets on standard rail and perforated metal plate
- functional equipotential bonding acc. to DIN EN 50310 (VDE0800-2-310) with 2 screw fastenings via grounding screw M6x10 with nut and lock washer possible
- 1 labeling strip on module holder enclosed

# P | Cabling

Data sheet

Page 2/6

## SmartConnect Patchpanel 12 port Keystone, unequipped

P/N

130927-1200KE

EAN 4251394635484

2023/04/18

Version: B

### Technical Data

#### General Data

Fields of application	structured building cabling Distributed building services
Mechanical measurement according to MICE	M1
Ingress measurement according to MICE	I1
Climatic measurement according to MICE	C1
Electromagnetic measurement according to MICE	E3
Design	patch panel
Mounting style	standard rail TH35, perforated metal plate
Color	gray
Dimensions	
Dimension (L x W x H)	265 mm x 53.5 mm x 42 mm
Dimension (L x W x H)	10.433 in. x 2.106 in. x 1.654 in.
Weight	236 g
Weight	0.5203 lb
Modularity	yes
Labeling option	labeling strip on module holder

#### Connections/interfaces

Number of ports interface 1	12
Number of equipped ports interface 1	0
Cable access/outlet	45° upwards
Ground connection	grounding screw M6x10 with nut and lock washer

#### Mechanical data

Cut-out	module
---------	--------

#### Materials and material properties

Material - Housing	aluminium-zinc sheet
Material - Mounting	PVC
Halogen free	yes
RoHS	compliant

# P | Cabling

Data sheet

Page 3/6

## SmartConnect Patchpanel 12 port Keystone, unequipped

P/N

130927-1200KE

EAN 4251394635484

2023/04/18

Version: B

### Technical Data

#### Classifications

ETIM 7.0	EC002006
ETIM 8.0	EC002006
ETIM 9.0	EC002006

#### Packing details

Type of packaging	1 pc(s) / plastic bag
-------------------	-----------------------

## SmartConnect Patchpanel 12 port Keystone, unequipped

P/N

130927-1200KE

EAN 4251394635484

2023/04/18

Version: B

### Accessories

P/N	Designation
1308450533-E	Patch cord Cat.6 <sub>A</sub> AWG 26 0.5 m gray
1308451033-E	Patch cord Cat.6 <sub>A</sub> AWG 26 1.0 m gray
1308451533-E	Patch cord Cat.6 <sub>A</sub> AWG 26 1.5 m gray
1308452033-E	Patch cord Cat.6 <sub>A</sub> AWG 26 2.0 m gray
1308453033-E	Patch cord Cat.6 <sub>A</sub> AWG 26 3.0 m gray
13084U0500-E	Patch cord Cat.6 Ultraflex500 VoIP AWG 26 0.5 m black
13084U0533-E	Patch cord Cat.6 Ultraflex500 VoIP AWG 26 0.5 m gray
13084U0588-E	Patch cord Cat.6 Ultraflex500 VoIP AWG 26 0.5 m white
13084U1000-E	Patch cord Cat.6 Ultraflex500 VoIP AWG 26 1.0 m black
13084U1033-E	Patch cord Cat.6 Ultraflex500 VoIP AWG 26 1.0 m gray
13084U1088-E	Patch cord Cat.6 Ultraflex500 VoIP AWG 26 1.0 m white
13084U2000-E	Patch cord Cat.6 Ultraflex500 VoIP AWG 26 2.0m black
13084U2033-E	Patch cord Cat.6 Ultraflex500 VoIP AWG 26 2.0 m gray
13084U2088-E	Patch cord Cat.6 Ultraflex500 VoIP AWG 26 2.0 m white
13084U3000-E	Patch cord Cat.6 Ultraflex500 VoIP AWG 26 3.0 m black
13084U3088-E	Patch cord Cat.6 Ultraflex500 VoIP AWG 26 3.0 m white
13084V0500-E	Patch cord Cat.6 Ultraflex500 VoIP AWG 26 0.5 m black
13084V0533-E	Patch cord Cat.6 Ultraflex500 VoIP AWG 26 0.5 m gray
13084V0588-E	Patch cord Cat.6 Ultraflex500 VoIP AWG 26 0.5 m white
13084V1000-E	Patch cord Cat.6 Ultraflex500 VoIP AWG 26 1.0 m black
13084V1033-E	Patch cord Cat.6 Ultraflex500 VoIP AWG 26 1.0 m gray
13084V1088-E	Patch cord Cat.6 Ultraflex500 VoIP AWG 26 1.0 m white

## SmartConnect Patchpanel 12 port Keystone, unequipped

P/N

130927-1200KE

EAN 4251394635484

2023/04/18

Version: B

### Accessories

13084V2000-E	Patch cord Cat.6 Ultraflex500 VoIP AWG 26 2.0m black
13084V2033-E	Patch cord Cat.6 Ultraflex500 VoIP AWG 26 2.0 m gray
13084V2088-E	Patch cord Cat.6 Ultraflex500 VoIP AWG 26 2.0 m white
13084V3000-E	Patch cord Cat.6 Ultraflex500 VoIP AWG 26 3.0 m black
13084V3088-E	Patch cord Cat.6 Ultraflex500 VoIP AWG 26 3.0 m white
130898-0003KI	Keystone BLIND module light gray
130898-0029KI	Keystone BLIND module black
130898-0103KI	COAX modul F jack / F jack, Keystone
130898-0203KI	COAX modul IEC jack / F jack, Keystone
130898-0303KI	COAX modul IEC plug / F jack, Keystone
130910KI	E-DAT modul Cat.6 <sub>A</sub> K jack - Keystone style
130910KZ	E-DAT modul Cat.6 <sub>A</sub> K jack - Keystone style (12 pcs)
1309A0-I	E-DAT modul coupler 8(8) 180° class E <sub>A</sub>
130A08-I-B1	UTP modul Cat.5e white
130A10-29-I-B1	UTP modul 8(8) Cat.6 black
130A10-I-B1	UTP modul 8(8) Cat.6 white
130A11-29KI	UTP modul 8(8) Cat.6 <sub>A</sub> Keystone black
130A11KI	UTP modul 8(8) Cat.6 <sub>A</sub> Keystone white
130B21-25-E	25Gmodul - Keystone
130B21-25-Z	25Gmodul - Keystone style (12 pcs)
130B21-E	C6 <sub>A</sub> modul K 180° jack - keystone style
130B21-Z	C6 <sub>A</sub> modul K 180° jack - Keystone style (12 pcs)
15091071-I	OpDAT modul LC-Duplex OS2
15091072-I	OpDAT modul LC-Duplex OM3
15091075-I	OpDAT modul LC-Duplex OM4
15091076-I	OpDAT modul LC-Duplex APC OS2
1509107B-I	OpDAT modul LC-Duplex OM2
1509107M-I	OpDAT modul LC-Duplex OM5

# P | Cabling

Data sheet

Page 6/6

## SmartConnect Patchpanel 12 port Keystone, unequipped

P/N

130927-1200KE

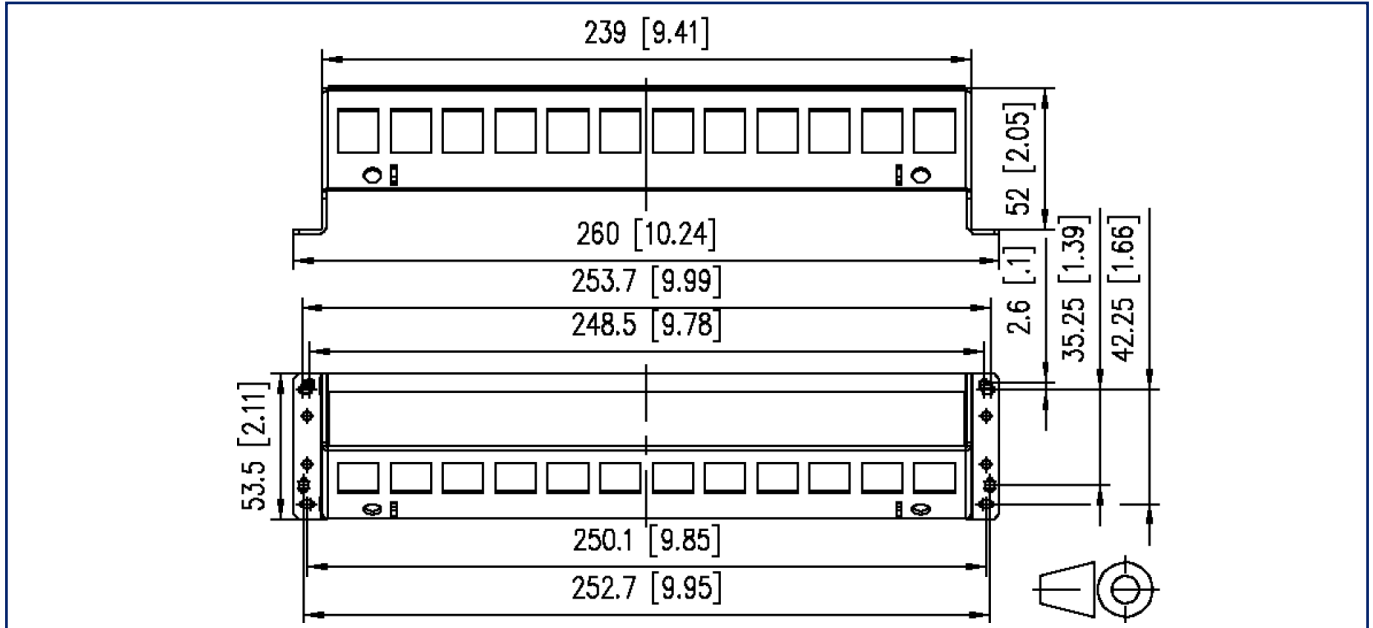
EAN 4251394635484

2023/04/18

Version: B

### Illustrations

Dimensional drawing



Cut-out

