



Datenblatt - Fiche technique - Data sheet

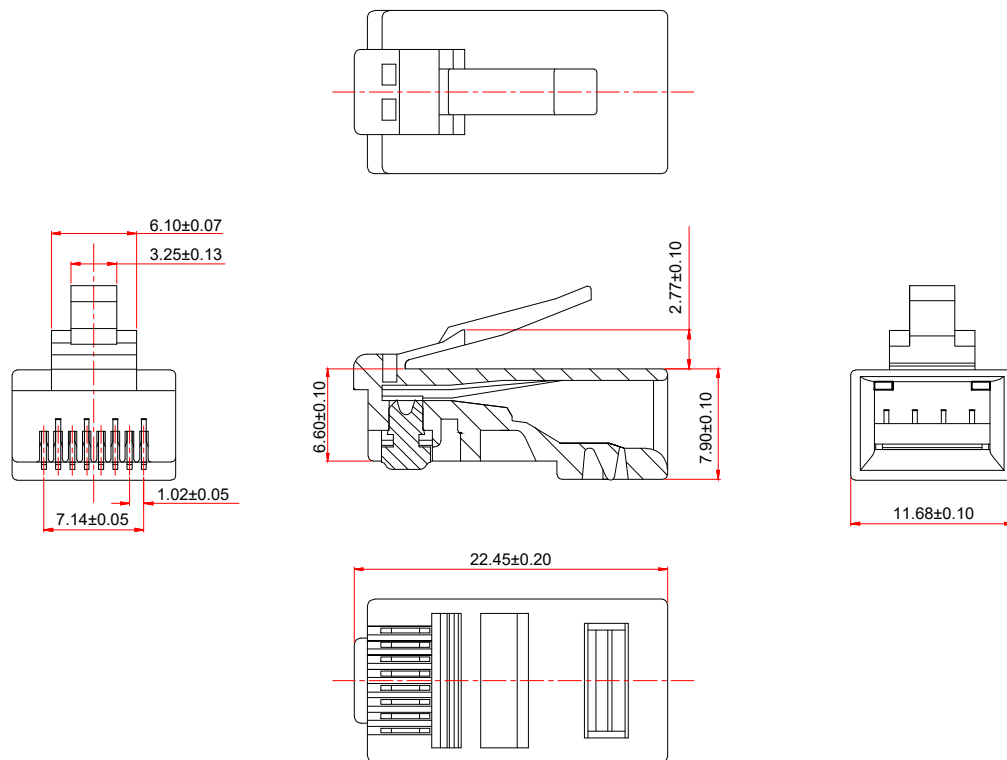
**21.99.3064**



VALUE Modular Plug ungeschirmt, Kat. 6/6A, 100 Stck

VALUE Connecteur modulaire non blindé, cat. 6/6A, 100 unités

VALUE Cat.6/6A Modular Plug, UTP, for Stranded Wire, 100 pcs.



NOTE:

- Modular plug
- Modular plug ID: 1.0-1.05mm, used for wire OD: 0.89-1.0mm, cble OD:6.7mm Max, 4.5mm Min
- For round CAT.6 UTP and CAT.6A UTP stranded cable
- PIN 3µ Gold plating
- Unshielded
- With 4+4 cable guide
- crimp type
- Color transparent
- RoHS2.0 AND REACH COMPLIANT

ITEM NO	21.99.3064
DESC.	VALUE Modular Plug Cat. 6/6a, UTP, 100pcs/set, Transparent

		NEW	2016-12-15	A
BY	CHK	REVISION RECORD MODIFICATIONS	DATE	REV.

**SECOMP**