

## Data sheet

### E-DAT modul coupler 8(8) 90° class E<sub>A</sub>

Page 1/7

P/N  
1309A1-I

EAN 4250184106623

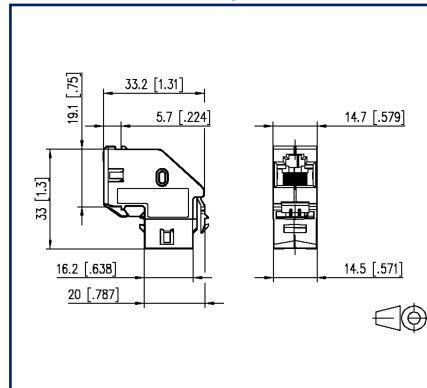
2023/11/22

Version: AP

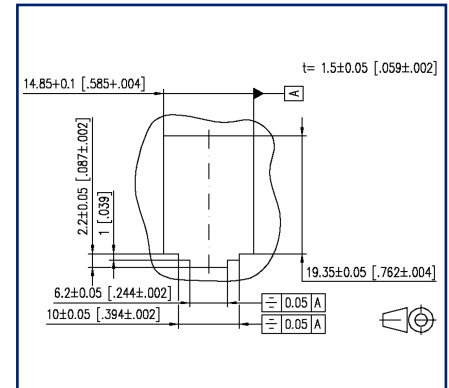
## Illustrations



Dimensional drawing



Cut-out



See enlarged drawings at the end of document

## Product specification

- RJ45 cable coupler class E<sub>A</sub>
- compliance with class E<sub>A</sub> to ISO/IEC 11801, DIN EN 50173-1
- suitable for 10 GBit Ethernet (IEEE 802.3an), Remote Powering (PoE, PoE plus and UPoE) and HDBaseT
- fully shielded 90° coupler made of refined zinc die-casting
- especially suitable for consolidation points and cross-connect cabling
- 2 mounting versions in a coupler, fits in module or keystone applications
- for module design: Modul wall outlets, Modul face plates, Modul REG IP20, Industry built in flange EBM
- for keystone design: Keystone face plates, Industry built in flange EBK

# P | Cabling

Data sheet

Page 2/7

## E-DAT modul coupler 8(8) 90° class E<sub>A</sub>

P/N  
1309A1-I

EAN 4250184106623

2023/11/22

Version: AP

### Technical Data

#### General Data

Fields of application	Consolidation points
Mechanical measurement according to MICE	M1
Ingress measurement according to MICE	I1
Climatic measurement according to MICE	C1
Electromagnetic measurement according to MICE	E2
Design	coupler / adapter (FO)
Shielding	shielded
Transmission technology	Copper
Color	metallike
Dimensions	
Dimension (L x W x H)	33.2 mm x 14.7 mm x 33 mm
Dimension (L x W x H)	1.307 in. x 0.579 in. x 1.299 in.
Modularity	yes
Labeling option	on housing

#### Transmission characteristics

Class (ISO/IEC)	E <sub>A</sub>
Remote Powering	yes
PoE	IEEE 802.3af
PoE plus	IEEE 802.3at
UPoE	yes
HDBaseT	yes
Transmission rate up to 10 GBit	IEEE 802.3an

#### Connections/interfaces

Connector technology interface 1	RJ45-jack
Connector technology interface 2	RJ45-jack
Number of ports interface 1	1
Number of ports interface 2	1
Number of equipped ports interface 1	1
Number of ports interface 2 equipped	1
Number of positions/contacts interface 1	8P/8C
Number of positions/contacts interface 2	8P/8C

### Technical Data

#### Electrical characteristics

Current carrying capacity	max. 1 A
Rated voltage	max. 50 V
Contact resistance	max. 20 mOhm
Through resistance	max. 200 mOhm
Insulation resistance	min. 500 MOhm
Dielectric strength conductor-conductor (secondary)	min. 1000 V DC

#### Mechanical data

Mounting method	snap-in function
Insertion and withdrawal force	max. 20 N
Position/mounting of latch standard installation position	top

#### Materials and material properties

Material - Housing	GD-Zn (zinc die-cast)
Material - Contact	CuSn (tin bronze)
Material - Contact finish	Ni + Au (nickel-gold)
Halogen free	yes
Material - Finish	Ni (nickel)
RoHS	compliant

#### Environmental conditions

Temperature (min. - max.)	
Temperature - Storage °C	-40 °C - 70 °C
Temperature - Storage °F	-40 °F - 158 °F
Temperature - Operating °C	-40 °C - 70 °C
Temperature - Operating °F	-40 °F - 158 °F
Rapid change of temperature	-40°C / -40°F - +70°C / 158°F / 25 cycles t=30 min

# P | Cabling

Data sheet

Page 4/7

## E-DAT modul coupler 8(8) 90° class E<sub>A</sub>

P/N  
1309A1-I

EAN 4250184106623

2023/11/22

Version: AP

### Technical Data

#### Standards/Regulations

##### Generic cabling systems

General requirements	ISO/IEC 11801-1   DIN EN 50173-1
Office buildings	ISO/IEC 11801-2   DIN EN 50173-2
Industrial area	ISO/IEC 11801-3   DIN EN 50173-3
Living units	ISO/IEC 11801-4   DIN EN 50173-4
Data centers	ISO/IEC 11801-5   DIN EN 50173-5
Distributed building services	ISO/IEC 11801-6   DIN EN 50173-6

##### Connectors for electronic equipment

Free and fixed connectors	DIN EN 60603-7-5
---------------------------	------------------

##### Connectors for electronic equipment - Tests and measurements

Test standard for connectors (engaging and separating connectors under electrical load)	DIN-EN 60512-99-001
Endurance tests	IEC 60512-9-3: 03-2009
Emission proof	
Climate tests	IEC 60512-11

#### Classifications

ETIM 5.0	EC001134
ETIM 6.0	EC001134
ETIM 7.0	EC001134
ETIM 8.0	EC001134
ETIM 9.0	EC001134

#### Packing details

Type of packaging	10 pc(s) / box
Packaging unit - Weight (gram)	390 g
Packaging unit - Weight (pound)	0.86 lb
Packaging dimension	258 mm x 164 mm x 51 mm
Packaging dimension	10.157 in. x 6.457 in. x 2.008 in.

# P | Cabling

Data sheet

Page 5/7

## E-DAT modul coupler 8(8) 90° class E<sub>A</sub>

P/N  
1309A1-I

EAN 4250184106623

2023/11/22

Version: AP

### Accessories from

P/N	Designation
1309107003-E	REGplus IP20 E-DAT modul
1309413003-E	E-DAT Industry IP67 V6 for MC module
1309413103-E	E-DAT Industry IP67 V6 for keystone
1309413203-E	E-DAT Industry IP67 V6 for MC module with mounting kit
1309413303-E	E-DAT Industry IP67 V6 for keystone with mounting kit
1309426003-E	E-DAT modul REG 1 port IP20 light gray
1309427103-E	Modul REGplus IP20 light gray unequipped
1309A07003-E	REGplus IP20 E-DAT modul coupler 180°
1309A17003-E	REGplus IP20 E-DAT modul coupler 90°
130B117003-E	REGplus IP20 C6 <sub>A</sub> modul 180°M
130B127003-E	REGplus IP20 C6 <sub>A</sub> modul 270°M



# P | Cabling

Data sheet

Page 6/7

## E-DAT modul coupler 8(8) 90° class E<sub>A</sub>

P/N  
1309A1-I

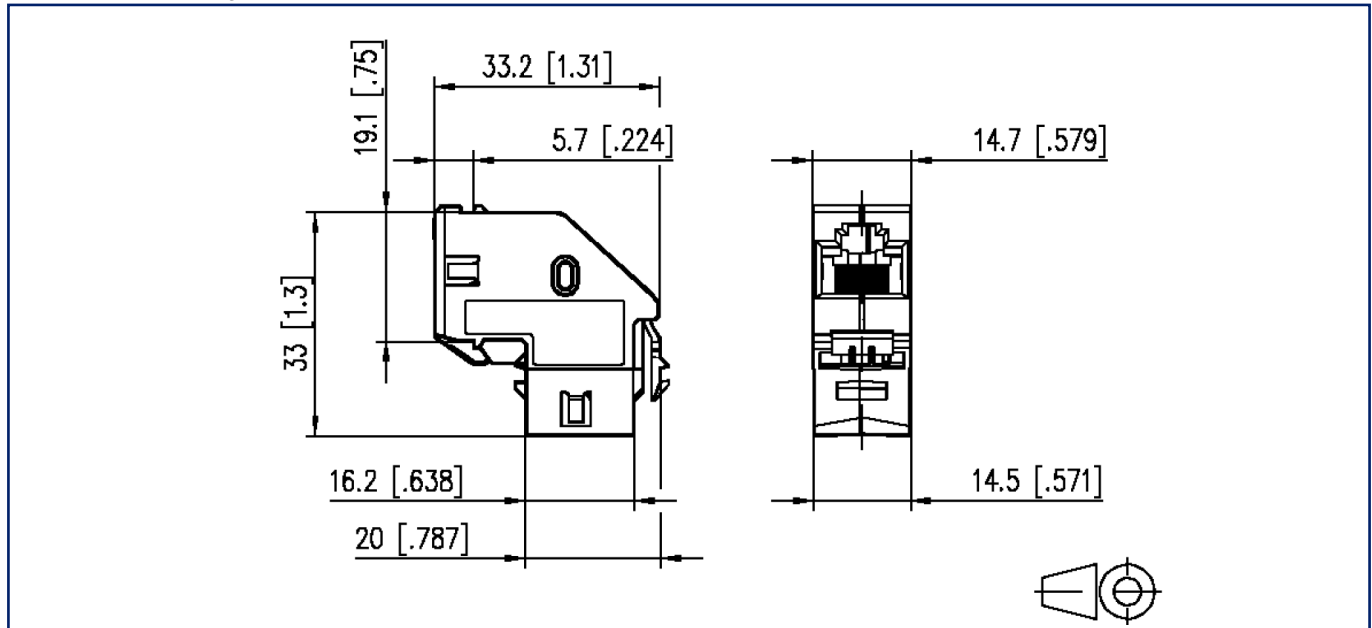
EAN 4250184106623

2023/11/22

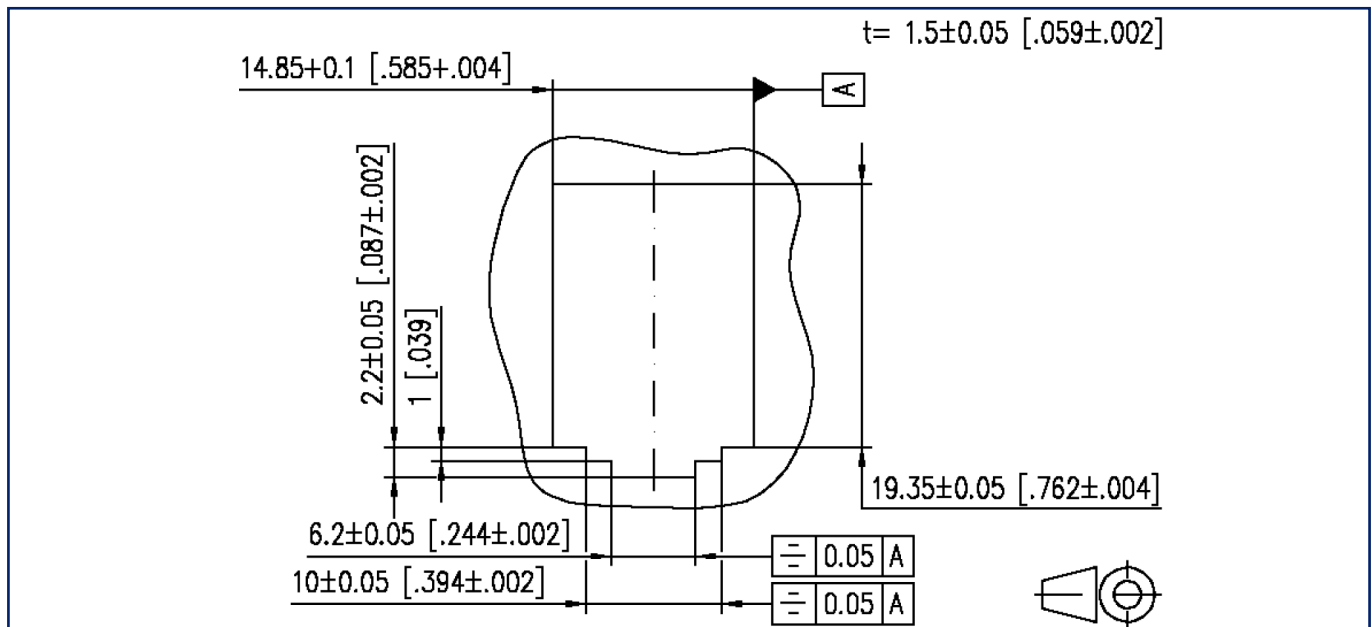
Version: AP

### Illustrations

Dimensional drawing



Cut-out



# P | Cabling

Data sheet

**E-DAT modul coupler 8(8) 90° class E<sub>A</sub>**

Page 7/7

P/N  
1309A1-I

EAN 4250184106623

2023/11/22

Version: AP

## Illustrations

Cut-out

