

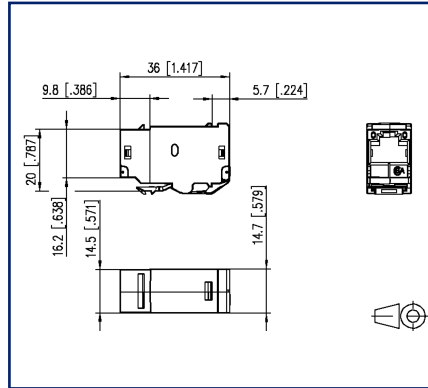
## Data sheet

### E-DAT modul coupler 8(8) 180° class E<sub>A</sub>

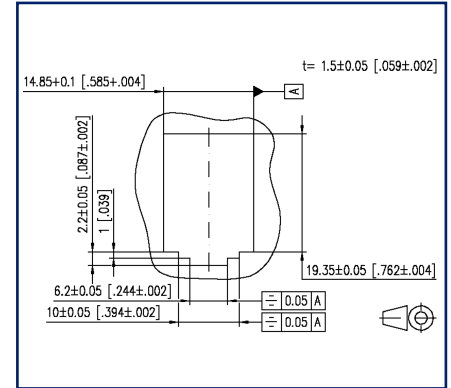
## Illustrations



Dimensional drawing



Cut-out



See enlarged drawings at the end of document

## Product specification

- RJ45 cable coupler class E<sub>A</sub>
- compliance with class E<sub>A</sub> to ISO/IEC 11801, DIN EN 50173-1
- suitable for 10 GBit Ethernet (IEEE 802.3an), Remote Powering (PoE, PoE plus and UPoE) and HDBaseT
- fully shielded 180° coupler made of refined zinc die-casting
- especially suitable for consolidation points and cross-connect cabling
- 2 mounting versions in a coupler, fits in module or keystone applications
- for modul design: modul wall outlets, modul face plates, 19 inch modul frame, Modul surface mount housing, E-DATmodul REG, Modul REG IP20, Industry built in flange EBM
- for keystone design: keystone wall outlets, keystone face plates, 19 inch keystone frame, Keystone surface mount housing, Subway Keystone, Keystone REG IP20, Industry built in flange EBK



# P | Cabling

Data sheet

Page 2/10

## E-DAT modul coupler 8(8) 180° class E<sub>A</sub>

P/N  
1309A0-I

EAN 4250184106616

2023/11/22

Version: F

### Technical Data

#### General Data

Fields of application	Consolidation points
Mechanical measurement according to MICE	M1
Ingress measurement according to MICE	I1
Climatic measurement according to MICE	C1
Electromagnetic measurement according to MICE	E3
Design	coupler / adapter (FO)
Shielding	shielded
Transmission technology	Copper
Color	metallike
Dimensions	
Dimension (L x W x H)	36 mm x 14.7 mm x 20 mm
Dimension (L x W x H)	1.417 in. x 0.579 in. x 0.787 in.
Modularity	yes
Labeling option	on housing

#### Transmission characteristics

Class (ISO/IEC)	E <sub>A</sub>
Remote Powering	yes
PoE	IEEE 802.3af
PoE plus	IEEE 802.3at
UPoE	yes
HDBaseT	yes
Transmission rate up to 10 GBit	IEEE 802.3an

#### Connections/interfaces

Connector technology interface 1	RJ45-jack
Connector technology interface 2	RJ45-jack
Number of ports interface 1	1
Number of ports interface 2	1
Number of equipped ports interface 1	1
Number of ports interface 2 equipped	1
Number of positions/contacts interface 1	8P/8C
Number of positions/contacts interface 2	8P/8C

# P | Cabling

Data sheet

Page 3/10

## E-DAT modul coupler 8(8) 180° class E<sub>A</sub>

P/N  
1309A0-I

EAN 4250184106616

2023/11/22

Version: F

### Technical Data

#### Electrical characteristics

Current carrying capacity	max. 1 A
Rated voltage	max. 50 V
Contact resistance	max. 20 mOhm
Insulation resistance	min. 500 MOhm

#### Mechanical data

Mounting method	snap-in function
Insertion and withdrawal force	max. 20 N
Position/mounting of latch standard installation position	top

#### Materials and material properties

Material - Housing	GD-Zn (zinc die-cast)
Material - Contact	CuSn (tin bronze)
Material - Contact finish	Ni + Au (nickel-gold)
Halogen free	yes
Material - Finish	Ni (nickel)
RoHS	compliant

#### Environmental conditions

Temperature (min. - max.)	
Temperature - Storage °C	-40 °C - 70 °C
Temperature - Storage °F	-40 °F - 158 °F
Temperature - Operating °C	-40 °C - 70 °C
Temperature - Operating °F	-40 °F - 158 °F
Rapid change of temperature	-40°C / -40°F - +70°C / 158°F / 25 cycles t=30 min

#### Approvals

UL listed (file no.)



DUXR.E178484

# P | Cabling

Data sheet

Page 4/10

## E-DAT modul coupler 8(8) 180° class E<sub>A</sub>

P/N  
1309A0-I

EAN 4250184106616

2023/11/22

Version: F

### Technical Data

#### Standards/Regulations

Generic cabling systems

General requirements	ISO/IEC 11801-1   DIN EN 50173-1
Office buildings	ISO/IEC 11801-2   DIN EN 50173-2
Industrial area	ISO/IEC 11801-3   DIN EN 50173-3
Living units	ISO/IEC 11801-4   DIN EN 50173-4
Data centers	ISO/IEC 11801-5   DIN EN 50173-5
Distributed building services	ISO/IEC 11801-6   DIN EN 50173-6

Connectors for electronic equipment

Free and fixed connectors DIN EN 60603-7-5

Connectors for electronic equipment - Tests and measurements

Test standard for connectors (engaging and separating connectors under electrical load)	DIN-EN 60512-99-001
Endurance tests	IEC 60512-9-3: 03-2009
Emission proof	
Climate tests	IEC 60512-11

#### Classifications

ETIM 5.0	EC001134
ETIM 6.0	EC001134
ETIM 7.0	EC001134
ETIM 8.0	EC001134
ETIM 9.0	EC001134

#### Packing details

Type of packaging	10 pc(s) / box
Packaging unit - Weight (gram)	371 g
Packaging unit - Weight (pound)	0.82 lb
Packaging dimension	258 mm x 164 mm x 51 mm
Packaging dimension	10.157 in. x 6.457 in. x 2.008 in.

# P | Cabling

Data sheet

Page 5/10

## E-DAT modul coupler 8(8) 180° class E<sub>A</sub>

P/N  
1309A0-I

EAN 4250184106616

2023/11/22

Version: F

### Accessories from

P/N	Designation
130861-0202-E	Modul surface mount housing 2 port pure white, unequipped
130861-0202KE	Keystone surface mount housing 2 port pure white, unequipped
130861-0302-E	Modul surface mount housing 3 port pure white, unequipped
130861-0302KE	Keystone surface mount housing 3 port pure white, unequipped
130861-0402-E	Modul surface mount housing 4 port pure white, unequipped
130861-0402KE	Keystone surface mount housing 4 port pure white, unequipped
130861-0602-E	Modul surface mount housing 6 port pure white, unequipped
130861-0602KE	Keystone surface mount housing 6 port pure white, unequipped
130861-0802-E	Modul surface mount housing 8 port pure white, unequipped
130861-0802KE	Keystone surface mount housing 8 port pure white, unequipped
130861-1202-E	Modul surface mount housing 12 port pure white, unequipped
130861-1202KE	Keystone surface mount housing 12 port pure white, unequipped
130861-1602-E	Modul surface mount housing 16 port pure white, unequipped
130861-1602KE	Keystone surface mount housing 16 port pure white, unequipped
130861-2402-E	Modul surface mount housing 2x12 port pure white, unequipped
130861-2402KE	Keystone surface mount housing 2x12 port pure white, unequipped
1309107003-E	REGplus IP20 E-DAT modul
130910D1APLKE	Extension box 1 Port E-DAT Modul Keystone
130910D2APLKE	Extension box 2 port E-DAT modul Keystone
1309141002-E	Modul wall outlet flush mounted 1 port unequipped pure white
1309141102-E	Modul wall outlet flush mounted trunking installation 1 port unequipped pure white
1309141200-E	Modul wall outlet flush mounted without cover 3 port unequipped
1309150102-E	Modul wall outlet surface mounted flat 2 port unequipped pure white
1309151002-E	Modul wall outlet flush mounted 2 port unequipped pure white
1309151102-E	Modul wall outlet flush mounted trunking installation 2 port unequipped pure white
1309151200-E	Modul wall outlet flush mounted without cover 2 port unequipped
1309161002-E	Modul wall outlet flush mounted 3 port unequipped pure white
1309161102-E	Modul wall outlet flush mounted trunking installation 3 port unequipped pure white

### Accessories from

130920-00-E	Modul 19 inch module frame 1RU 24 Port light gray unequipped, shielded
130920-00KE	Keystone 19 inch module frame 1RU 24 port light gray unequipped, shielded
130920-BK-E	Modul 19 inch module frame 1RU 24 port black unequipped, shielded
130920-BKKE	Keystone 19 inch module frame 1RU 24 port black unequipped, shielded
130920-E	E-DAT modul 24x8(8) 1RU patch panel Cat.6 <sub>A</sub> , light gray
130921-00-E	Modul 19 inch module frame 1RU 24 port stainless steel unequipped
130921-E	E-DAT modul 24x8(8) 1RU patch panel Cat.6 <sub>A</sub> , stainless steel
130922-00-E	6 port module frame 1RU
130922-02-E	E-DAT modul 6x8(8) 3RU patch panel Cat.6 <sub>A</sub>
130922-03-E	E-DAT modul 6x8(8) for 1RU patch panel Cat.6 <sub>A</sub>
130924-00-E	Modul 19 inch module frame 1.5RU 48 port stainless steel unequipped
130924-E	E-DAT modul 48x8(8) 1.5RU patch panel Cat.6 <sub>A</sub> , stainless steel
130926-0029KE	Keystone 19 inch module frame 1RU 24 port black unequipped, shielded
130926A0003KE	Keystone 19 inch module frame 1RU 24 port angeled grey unequipped, shielded
130926A0029KE	Keystone 19 inch module frame 1RU 24 port angeled black unequipped, shielded
130926AA029KE	Keystone 19 inch module frame 1RU 24 ports 133° angled, black, unequipped, shielded
130927-1200-E	SmartConnect Patchpanel 12 ports MC module
130927-1200KE	SmartConnect Patchpanel 12 port Keystone, unequipped
130927-1600-E	SmartConnect Patchpanel 16 ports MC module
130927-2400-E	SmartConnect Patchpanel 24 ports MC module
1309350301-E	Subway underfloor unit GB2 Modul 3 port unequipped pearl white
1309350601-E	Subway underfloor unit GB2 Modul 6 port unequipped pearl white
1309350901-E	Subway underfloor unit GB2 Modul 9 port unequipped pearl white
1309360301-E	Subway underfloor unit GB3 Modul 3 port unequipped pearl white
1309360601-E	Subway underfloor unit GB3 Modul 6 port unequipped pearl white
1309360901-E	Subway underfloor unit GB3 Modul 9 port unequipped pearl white

### Accessories from

1309361201-E	Subway underfloor unit GB3 Modul 12 port unequipped pearl white
1309413003-E	E-DAT Industry IP67 V6 for MC module
1309413103-E	E-DAT Industry IP67 V6 for keystone
1309413203-E	E-DAT Industry IP67 V6 for MC module with mounting kit
1309413303-E	E-DAT Industry IP67 V6 for keystone with mounting kit
1309426003-E	E-DAT modul REG 1 port IP20 light gray
1309426103-E	E-DAT modul REG unequipped IP20 light gray
1309427103-E	Modul REGplus IP20 light gray unequipped
1309428103-E	Keystone REGplus IP20 light gray unequipped
1309430003-E	E-DAT modul IP44 surface mounted housing unequipped
1309A07003-E	REGplus IP20 E-DAT modul coupler 180°
1309A0D1APLKE	Extension box 1 port E-DAT adapter
1309A0D2APLKE	Extension box 2 port E-DAT adapter
1309A17003-E	REGplus IP20 E-DAT modul coupler 90°
130A21-00-E	Keystone 19 inch module frame 1RU 24 port stainless steel unequipped
130A24-00-E	Keystone 19 inch module frame 1.5RU 48 port stainless steel unequipped
130B10D10002-E	Modul wall outlet surface mounted 1 port unequipped pure white 43 mm
130B10D20002-E	Modul wall outlet surface mounted 2 port unequipped pure white 43 mm
130B10D30002-E	Modul wall outlet surface mounted 3 port unequipped pure white 43 mm
130B10E2E-E	Modul module frame 3RU, 7HP 6 port stainless steel unequipped
130B117003-E	REGplus IP20 C6 <sub>A</sub> modul 180°M
130B11P0-E	C6 <sub>A</sub> modul 24 port 180°M 1RU
130B11P1-E	C6 <sub>A</sub> modul 24 port 180°M 1RU stainless steel
130B11P4-E	C6 <sub>A</sub> modul 48 port 180°M 1.5RU stainless steel
130B127003-E	REGplus IP20 C6 <sub>A</sub> modul 270°M
130B20E2E-E	Keystone module frame 3RU, 7HP 6 port stainless steel unequipped
130B21D1APL-E	Extension box 1 Port C6 <sub>A</sub> modul Keystone
130B21D2APL-E	Extension box 2 port C6 <sub>A</sub> modul Keystone
130D2CBU4-E	DCCS2 subassembly 4 port unequipped
130D2CKU4-E	DCCS2 subassembly 4 port unequipped - Keystone

# P | Cabling

Data sheet

Page 8/10

## E-DAT modul coupler 8(8) 180° class E<sub>A</sub>

P/N  
1309A0-I

EAN 4250184106616

2023/11/22

Version: F

### Accessories from

14040000-E	MCO IP69k protective housing for outdoor use, set for exposed installation
14040010-E	MCO IP69k Protective housing for outdoor use, set with mounting bracket
14040100-E	MCO IP69k Protective housing for outdoor use, set wall/ housing bushing





# P | Cabling

Data sheet

Page 9/10

E-DAT modul coupler 8(8) 180° class E<sub>A</sub>

P/N  
1309A0-I

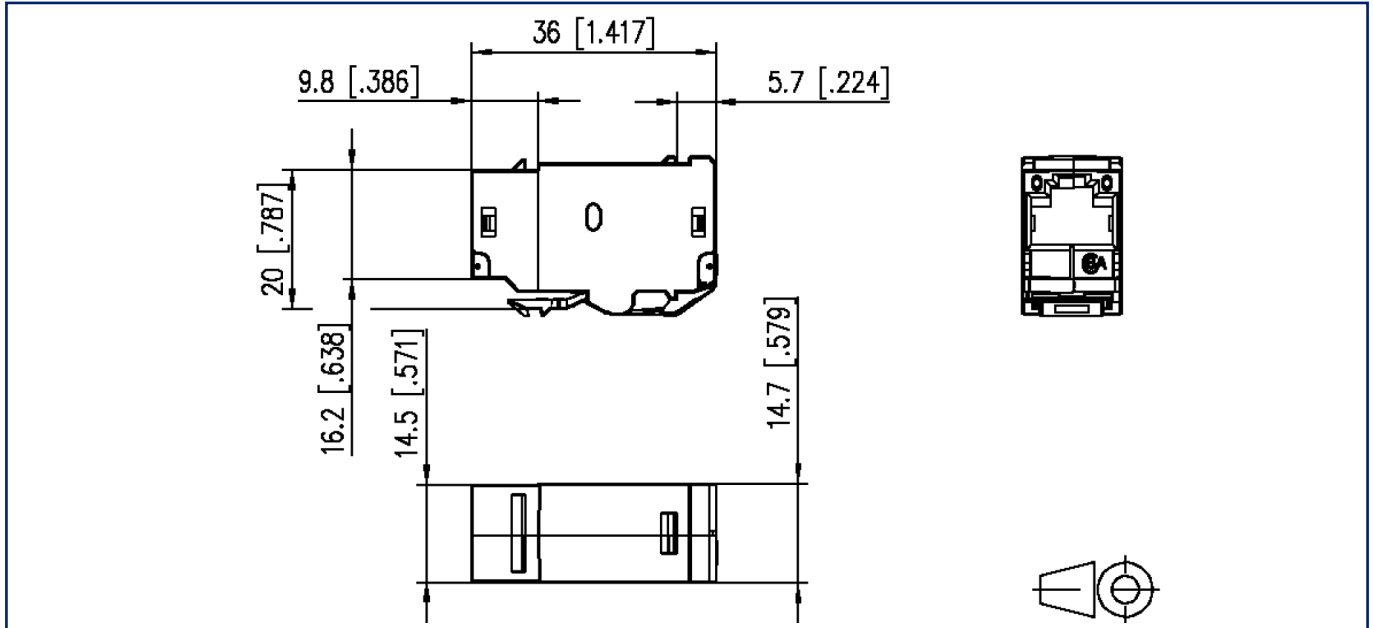
EAN 4250184106616

2023/11/22

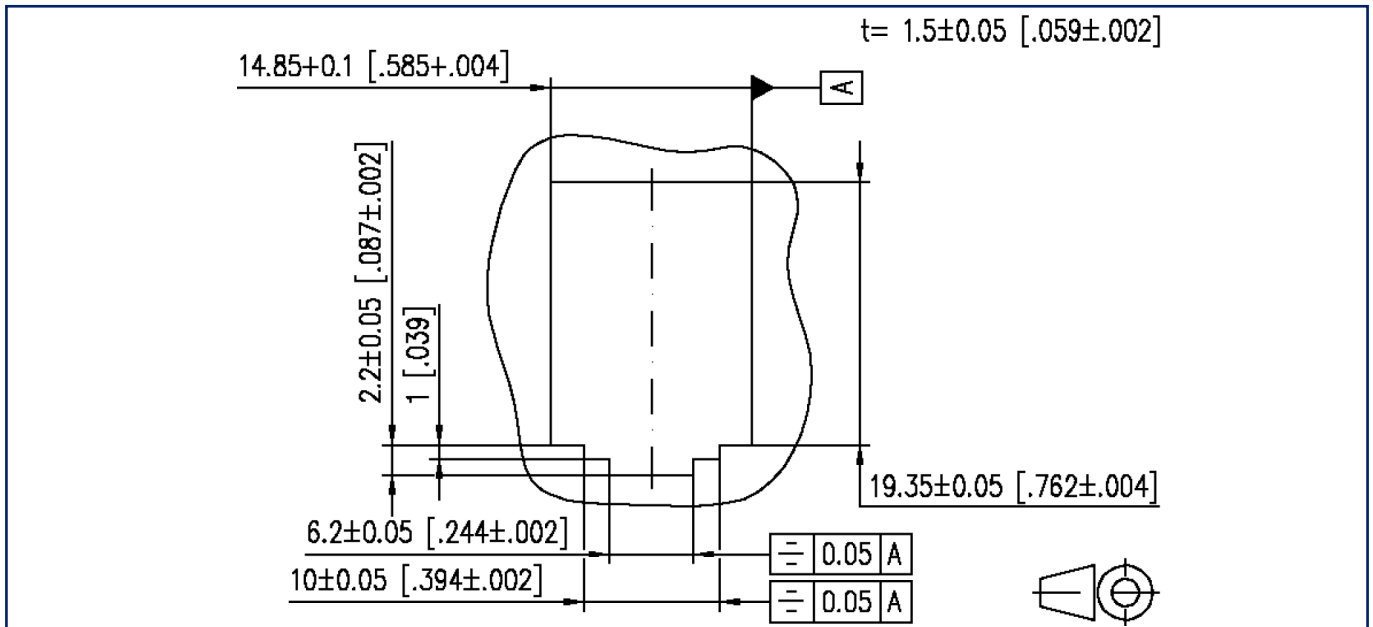
Version: F

## Illustrations

Dimensional drawing



Cut-out



# P | Cabling

Data sheet

Page 10/10

**E-DAT modul coupler 8(8) 180° class E<sub>A</sub>**

P/N  
1309A0-I

EAN 4250184106616

2023/11/22

Version: F

## Illustrations

Cut-out

