

Data sheet

MCO IP69k Protective housing for outdoor use, set with mounting bracket

Page 1/8

P/N

14040010-E

EAN 4251394617589

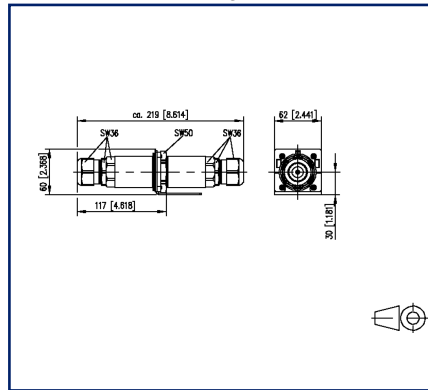
2023/11/21

Version: E

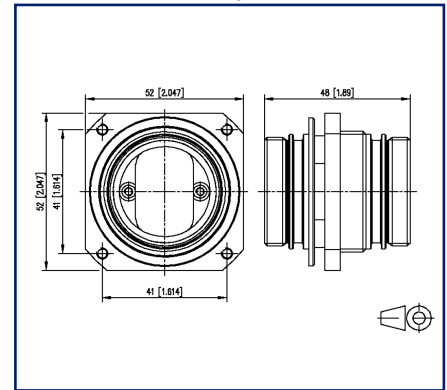
Illustrations



Dimensional drawing



Dimensional drawing



See enlarged drawings at the end of document

Product specification

- designed for wall, top-hat rail, quick and pole mounting
- incl. mounting bracket and fixing plate for quick and tool-free fixing of the flange
- universally and flexibly usable
- completely dust- and waterproof
- resistant to ozone, UV-radiation and salt water
- resistant to high-pressure jet cleaning, high temperatures and strong vibrations
- tested according to IP69k, IP67 and IP66
- M32 tubes and flange made of anodised aluminium
- incl. M32 cable glands (PA) with sealing inserts, O-rings and adapter plates for MC module, keystone and fibre optic components, for clean mounting inside the flange
- suitable for cable sheath diameters from 4.5 to 15.0 mm
- top-hat rail adapter not included in the scope of delivery, part no.: 1308990111-I



P | Cabling

Data sheet

Page 2/8

MCO IP69k Protective housing for outdoor use, set with mounting bracket

P/N
14040010-E

EAN 4251394617589

2023/11/21

Version: E

Technical Data

General Data

Color	Aluminium anodised/black
Dimensions	
Dimension (L x W x H)	219 mm x 62 mm x 60 mm
Dimension (L x W x H)	8.622 in. x 2.441 in. x 2.362 in.

Connections/interfaces

Cable sheath diameter (min. - max.)	
Cable sheath diameter	4.5 mm - 15 mm

Materials and material properties

Material - Protective housing	Al (Aluminium)
Material - Protective housing finish	anodized
Material - Cable glands seal	TPE
Material - Cable gland	PA (polyamide)
Material - mounting bracket	Al (Aluminium)
RoHS	yes

Environmental conditions

Temperature (min. - max.)	
Temperature - Operating °C	-40 °C - 85 °C
Temperature - Operating °F	-40 °F - 185 °F
Particulate ingress	IP6X
Liquid ingress/immersion	IPX6 / IPX7 / IPX9K

Classifications

ETIM 7.0	EC000444
ETIM 8.0	EC000444
ETIM 9.0	EC000444

Packing details

Type of packaging	1 pc(s) / box
-------------------	---------------

P | Cabling

Data sheet

Page 3/8

MCO IP69k Protective housing for outdoor use, set with mounting bracket

P/N

14040010-E

EAN 4251394617589

2023/11/21

Version: E

Technical Data

Notes

Safety instructions

The rated voltage of the installed components shouldn't increase over 50 VAC or 75 VDC.

P | Cabling

Data sheet

Page 4/8

MCO IP69k Protective housing for outdoor use, set with mounting bracket

P/N

14040010-E

EAN 4251394617589

2023/11/21

Version: E

Accessories

P/N	Designation
130863-02-DNV	Cable connector class F _A DNV
130863-02-E	Cable connector class F _A
130863-04-E	Cable connector class E _A 180°
130908-I-B1	UAE modul Cat.5e white
130909-I	UAE modul Cat.6 jack white
130910-DNV	E-DAT modul Cat.6 _A 8(8) jack, T568A+T568B DNV
130910-I	E-DAT modul Cat.6 _A 8(8) jack
130910K-DNV	E-DAT modul Cat.6 _A K jack T568A+T568B DNV - Keystone style
130910KI	E-DAT modul Cat.6 _A K jack - Keystone style
130910KZ	E-DAT modul Cat.6 _A K jack - Keystone style (12 pcs)
130910-Z	E-DAT modul Cat.6 _A 8(8) jack, (12 pcs)
1309A0-I	E-DAT modul coupler 8(8) 180° class E _A
130A08-I-B1	UTP modul Cat.5e white
130A10-29-I-B1	UTP modul 8(8) Cat.6 black
130A11-29-I	UAE modul 8(8) Cat.6 _A black
130A11-29KI	UTP modul 8(8) Cat.6 _A Keystone black
130A11-I	UAE modul 8(8) Cat.6 _A white
130A11KI	UTP modul 8(8) Cat.6 _A Keystone white
130B11-25-E	25Gmodul
130B11-25-Z	25Gmodul (12 pcs)
130B11-DNV	C6 _A modul 180° jack DNV
130B11-E	C6 _A modul 180° jack
130B11-Z	C6 _A modul 180° jack (12 pcs)
130B21-25-E	25Gmodul - Keystone
130B21-25-Z	25Gmodul - Keystone style (12 pcs)
130B21-DNV	C6 _A modul K 180° jack DNV - Keystone style
130B21-E	C6 _A modul K 180° jack - keystone style
130B21-Z	C6 _A modul K 180° jack - Keystone style (12 pcs)
130E405032-DNV	C6 _A RJ45 field plug pro DNV
1401100810MI	E-DAT Industry RJ45 field jack insert Cat.6 Class E _A , T568A
1401200810MI	E-DAT Industry RJ45 coupler insert Cat.6 Class E
1401405012-DNV	E-DAT Industry RJ45 field plug black Cat.6 Class E _A DNV
1401800810MI	E-DAT Industry RJ45 field jack insert Cat.6 Class E _A , T568B

MCO IP69k Protective housing for outdoor use, set with mounting bracket

P/N
14040010-E

EAN 4251394617589

2023/11/21

Version: E

Accessories

1401900810MI	E-DAT Industry RJ45 field jack insert Cat.6 Class E _A , PROFINET
1402300820MI	OpDAT Industry LC-D MM adapter insert
1402L00820MI	OpDAT Industry LC-D SM adapter insert
14040Z02-E	MCO IP69k protective cover for flange
15090012-50	OpDAT adapter SC-Simplex OM2 - 50 pieces
1509001A-50	OpDAT adapter SC-Simplex APC OS2 - 50 pieces
1509001A-I	OpDAT adapter SC-Simplex APC OS2
1509001B-50	OpDAT adapter SC-Simplex UPC OS2 - 50 pieces
1509001B-I	OpDAT adapter SC-Simplex UPC OS2
1509001C-50	OpDAT adapter SC-Simplex OM3 - 50 pieces
1509001C-I	OpDAT adapter SC-Simplex OM3
1509001D-50	OpDAT adapter SC-Simplex OM4 - 50 pieces
1509001D-I	OpDAT adapter SC-Simplex OM4
1509001H-I	OpDAT adapter SC-Simplex APC OS2 with shutter
1509001M-50	OpDAT adapter SC-Simplex OM5 - 50 pieces
1509001M-I	OpDAT adapter SC-Simplex OM5
15090058-I	OpDAT adapter E2000-Simplex OS2
15090059-I	OpDAT adapter E2000-Simplex APC OS2
1509005A-I	OpDAT adapter E2000-Duplex OM2 with Snap-In mounting
1509005B-I	OpDAT adapter E2000-Duplex OS2 with Snap-In mounting
1509005C-I	OpDAT adapter E2000-Duplex APC OS2 with Snap-In mounting
1509005F-I	OpDAT adapter E2000-Duplex APC OS2 with flange mounting
1509005G-I	OpDAT adapter E2000-Simplex OM5
1509005H-I	OpDAT adapter E2000-Simplex OM3
1509005MA-I	OpDAT adapter MTP [®] OM3 type A
1509005M-I	OpDAT adapter E2000-Simplex OS2
15090074-50	OpDAT adapter LC-Duplex OS2 - 50 pieces
15090074-I	OpDAT adapter LC-Duplex OS2
15090075-50	OpDAT adapter LC-Duplex OM4 - 50 pieces
15090075-I	OpDAT adapter LC-Duplex OM4
15090076-50	OpDAT adapter LC-Duplex APC OS2 - 50 pieces
15090076-I	OpDAT adapter LC-Duplex APC OS2
15090077-50	OpDAT adapter LC-Duplex OM3 - 50 pieces

MCO IP69k Protective housing for outdoor use, set with mounting bracket

P/N
14040010-E

EAN 4251394617589

2023/11/21

Version: E

Accessories

15090077-I	OpDAT adapter LC-Duplex OM3
1509007B-I	OpDAT adapter LC-Duplex OM2
1509007G-I	OpDAT adapter LC-Duplex APC OS2 with inner shutter
1509007MA-I	OpDAT adapter MTP® OM4 type A
1509007MB-I	OpDAT adapter MTP® OM4 type B
1509007M-I	OpDAT adapter LC-Duplex OM5
1509008MA-I	OpDAT adapter MTP® OM5 type A
1509008MB-I	OpDAT adapter MTP® OM5 type B
1509009MA-I	OpDAT adapter MTP® APC OS2 type A
15091071-I	OpDAT modul LC-Duplex OS2
15091072-I	OpDAT modul LC-Duplex OM3
15091075-I	OpDAT modul LC-Duplex OM4
15091076-I	OpDAT modul LC-Duplex APC OS2
1509107B-I	OpDAT modul LC-Duplex OM2
1509107M-I	OpDAT modul LC-Duplex OM5
895154-I	Split seal for patch cords
MMF881A315-DNV	M12 jack X-coded IP67, field assembly DNV
MMF881A315-DNV1	M12 jack X-coded IP67, field assembly with flange DNV
MNF881A315-DNV1	M12 field plug X-coded IP67, field assembly, straight DNV



P | Cabling

Data sheet

Page 7/8

MCO IP69k Protective housing for outdoor use, set with mounting bracket

P/N
14040010-E

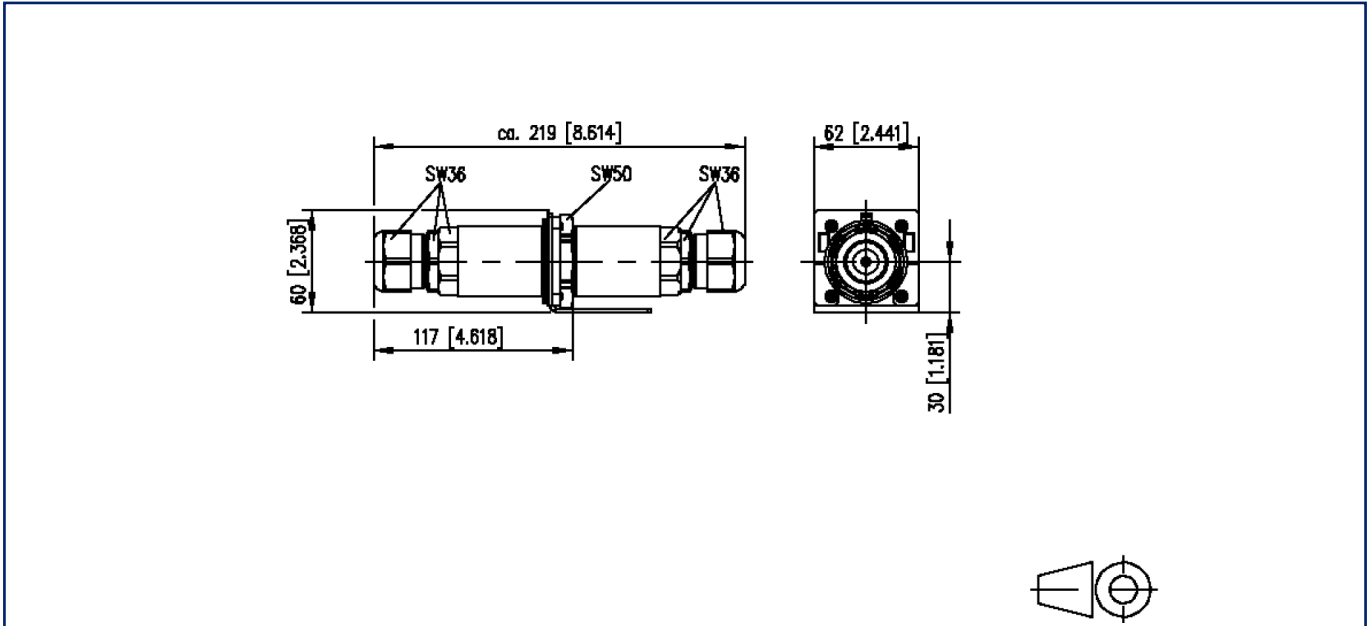
EAN 4251394617589

2023/11/21

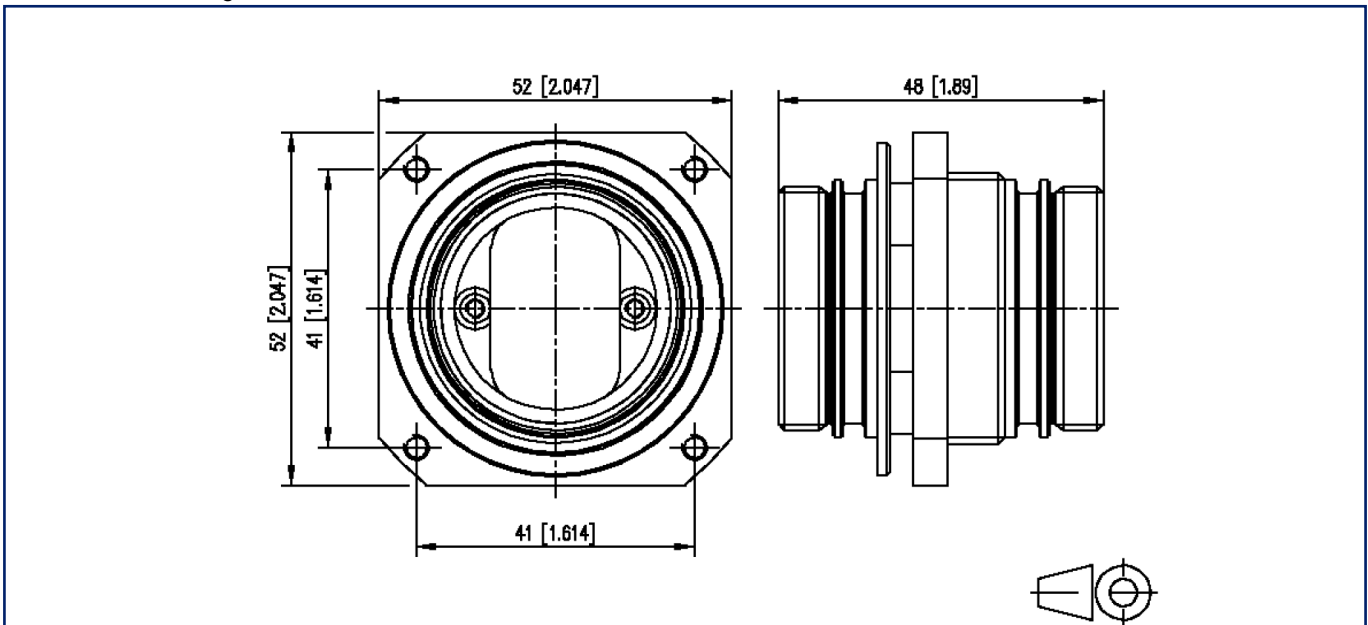
Version: E

Illustrations

Dimensional drawing



Dimensional drawing



P | Cabling

Data sheet

Page 8/8

MCO IP69k Protective housing for outdoor use, set with mounting bracket

P/N

14040010-E

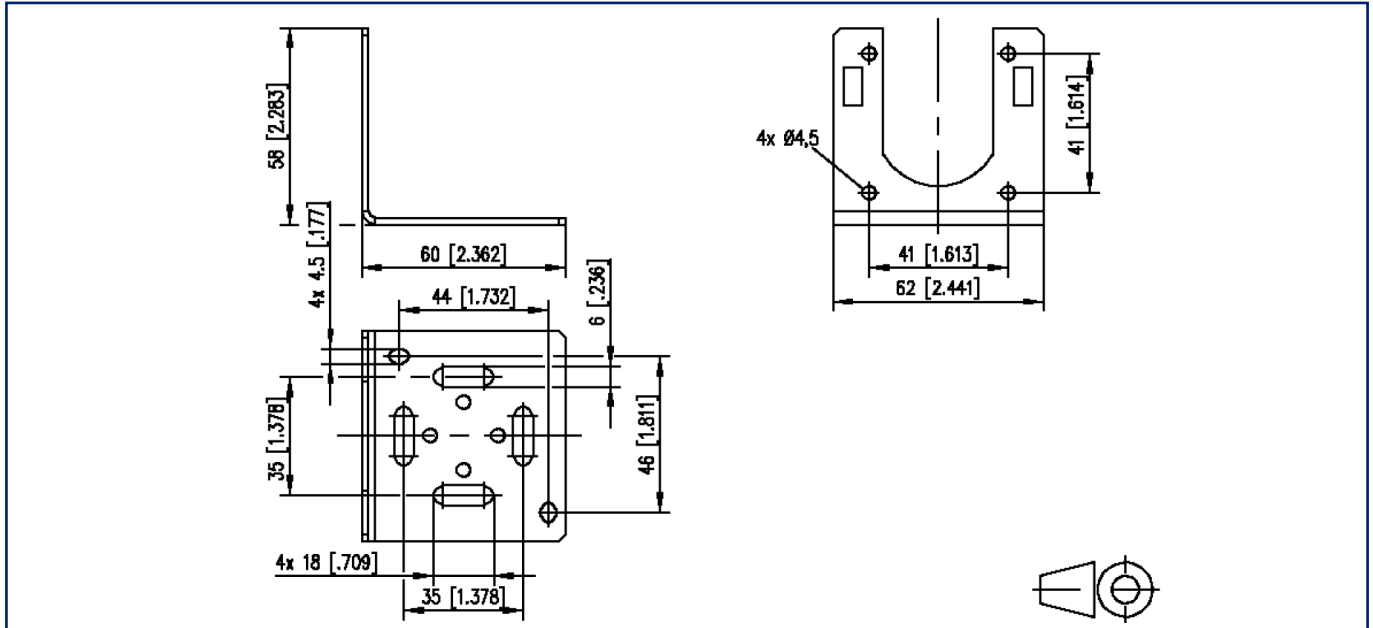
EAN 4251394617589

2023/11/21

Version: E

Illustrations

Dimensional drawing



© 2023 METZ CONNECT - Technische Änderungen vorbehalten! Subject to modifications! Sous réserve de modifications techniques!

