



Datenblatt - Fiche technique - Data sheet

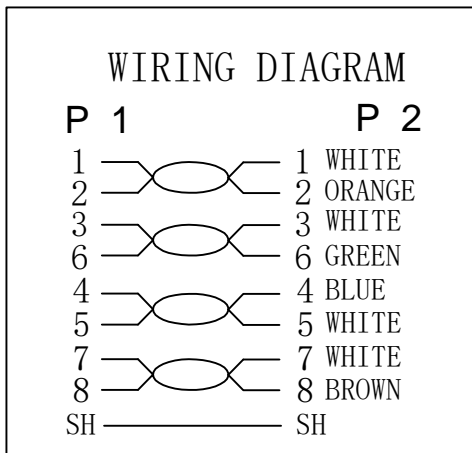
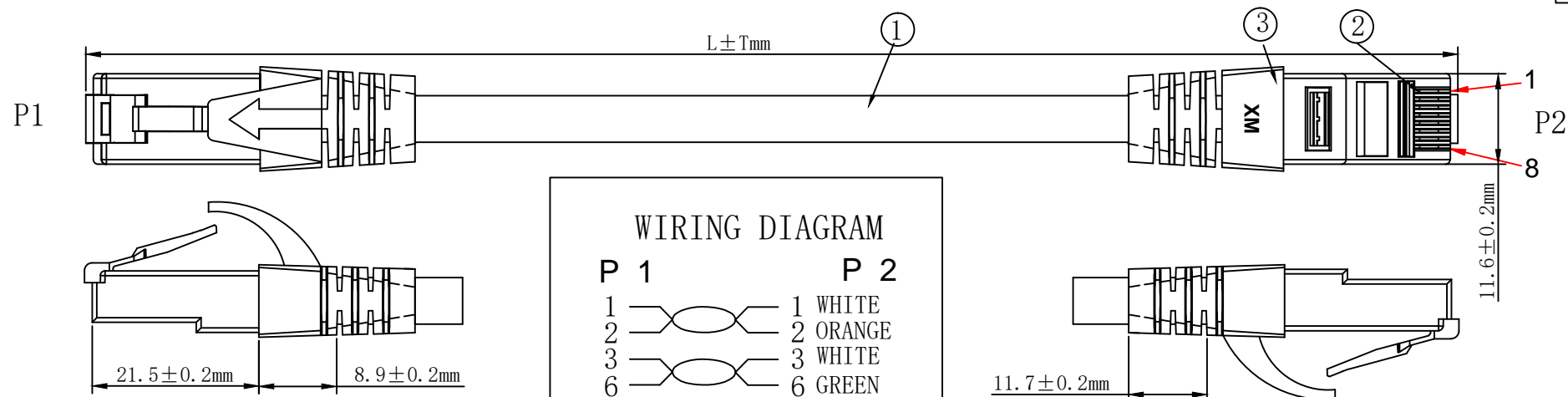
**21.15.2920**



ROLINE Patchkabel Kat.6A UTP, Component Level, LSOH, violett, 0,5 m

Cordon ROLINE UTP Cat.6A / 10 Gigabit, Component Level, LSOH, violet, 0,5 m

ROLINE UTP Patch Cord Cat.6A, Component Level, LSOH, violet, 0.5 m



**1. ELECTRICAL TEST:**

- (1).100% OPEN SHORT & MISS WIRE TEST;
- (2).INSULATION RESISTANCE:DC 250V 20M OHM MIN;
- (3).CONTACTOR RESISTANCE:30 OHM MAX

**2.PRINTING:GHMT® roline CAT.6A U/UTP COMPONENT PATCH CORD LSZH 500MHZ ISO/IEC**

11801 & EN 50173-1 & ANSI/TIA-568-C.2

3.100% Component Patch cord Test PASS

4.Minimum bending radius:60mm

**MATERIAL LIST**

⑥	LABEL	NO DRY GLUE LABEL	1PCS	
⑤	MINI TIE	PE MINI TIE(POSSESS METAL)	2PCS	
④	POLYETHYLENE BAG	POLYETHYLENE BAG	1PCS	
③	OVER MOLD	88A PVC Purple	2PCS	
②	CONNECTOR	RJ45 8P8C'S UNSHIELDED PIN GOLD PLATED 3u", Transparent Blue	2PCS	
①	CABLE	S/FTP CAT.6A 26AWG (BC*1P+AL-FOIL)*4P+BRAID CABLE JACKET LSOH OD=6.2±0.2MM	1PCS	
NO.	PARTS NAME	SPECIFICATION STANDARD	QT' Y	REMARK

COLOUR:Purple (PANTONE:2725C)		
ITEM NO.	LENGTH (L)	TOLERANCE (T)
21. 15. 2991	300mm	± 10mm
21. 15. 2920	500mm	± 15mm
21. 15. 2921	1000mm	± 30mm
21. 15. 2924	1500mm	± 45mm
21. 15. 2922	2000mm	± 60mm
21. 15. 2923	3000mm	± 90mm
21. 15. 2925	5000mm	± 150mm
21. 15. 2926	7500mm	± 210mm
21. 15. 2927	10000mm	± 300mm
21. 15. 2928	15000mm	± 450mm
21. 15. 2929	20000mm	± 600mm

ITEM NO.	21. 15. 2991	21. 15. 2920	21. 15. 2921	21. 15. 2922	21. 15. 2923
21. 15. 2924	21. 15. 2925	21. 15. 2926	21. 15. 2927	21. 15. 2928	21. 15. 2929
DESC.	ROLINE U/UTP PatchCord CAT. 6A, LSOH, Comp. Level1, Purple				

		NEW		
BY	CHK	REVISION RECORD MODIFICATIONS	DATE	REV.
			2016-09-13	A

