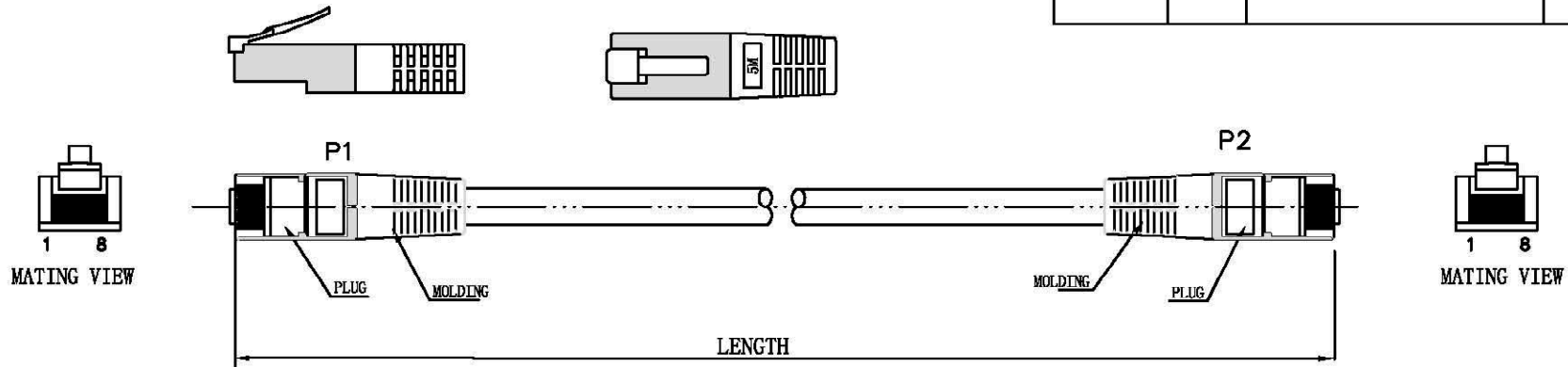
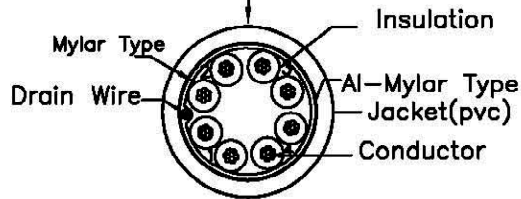


RoHS COMPLIANT

DATE	REV.	REVISION	DRAFTING	CHECKED
	A/0			



Marking: roline FTP CAT.5E PATCH ISO/IEC 11801 & EN 50288 ▲ 26AWGX4P TYPE CMX(UL) c(UL) CMH E164469-F3  
(FP0570)



orange 2	green 3
white/orange	white/green
blue 1	brown 4
white/blue	white/brown

note:  
Min. Bending radius(after installation) ≥ 25MM

PA/R	PINOUT		
	P1 (T568B)	WIRE	P2 (T568B)
1	1	WHT/ORG	1
	2	ORG	2
2	3	WHT/GRN	3
	6	GRN	6
3	4	BLU	4
	5	WHT/BLU	5
4	7	WHT/BRN	7
	8	BRN	8

Conductor	Bare Copper 26AWG
Insulation	Thickness:MIN at any point:0.15mm MAX AVG:0.25mm Diameter:0.85±0.06mm
Jacket	PVC Thickness:MIN at any point:0.50mm MAX AVG:0.60mm Diameter:5.6±0.2mm

Wire	CAT. 5E FTP STR 26AWG*4P
Plug	YUS-06 8P8C 50U"
Length	5000 ± 20MM
Color	GY825

Unless specified on the drawing, tolerances are per the follows:

.X	± 1
.XX	± 0.2
.XX	± 0.05
3RD	

**Rotronic Co.,Ltd**

ROLINE Cat. 5e FTP Patch Cable, 5m, grey

Item No.: 21.15.0105	DATE	2012/01/30
SCALE	CHECKER	DATE
UNIT	MM	SHEET
		1 OF 1