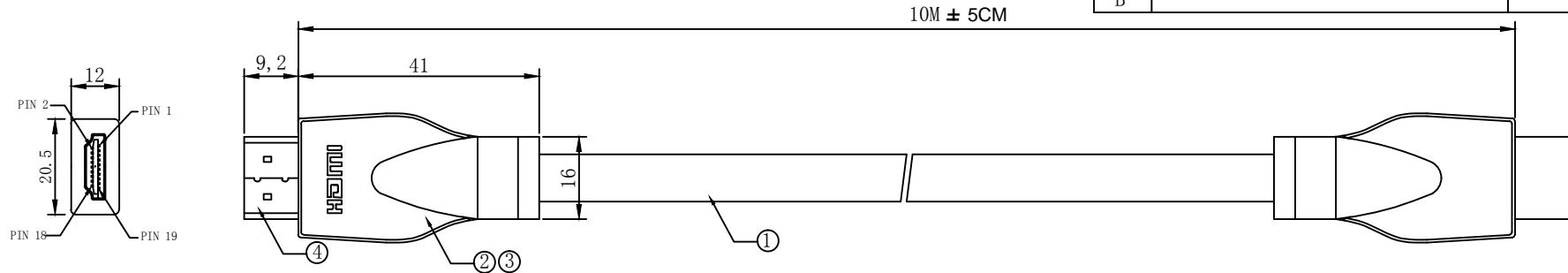
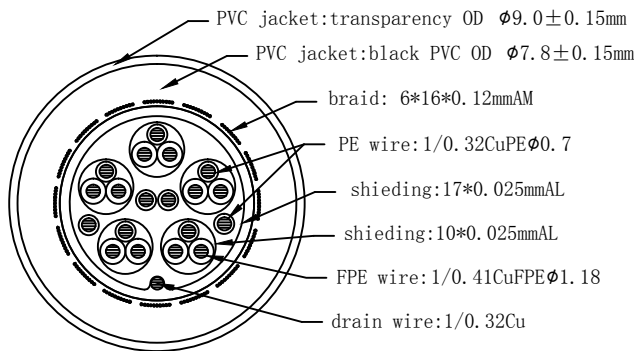


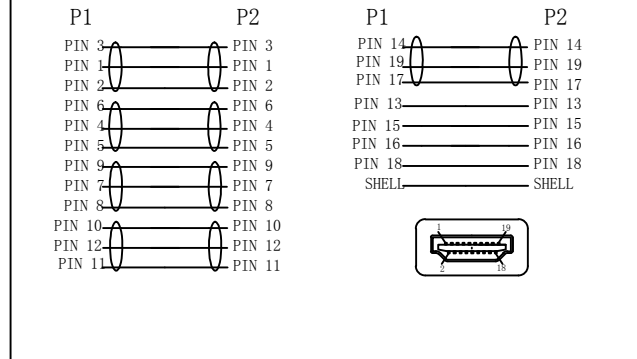
REV.	DESCRIPTION	DATE
A		2016-7-27
B		



Cable Specifications:



Pin Assignment



test standard:

- 100% pass open circuit, short circuit, dislocation test.
- On-resistance: 3Ω Max
- Insulation resistance: 5MBΩ Min/DC300V/10ms
- 100% pass 4k TV test

BOM LIST

NO.	SPECIFICATIONS
1	HDMI2.0V 26-28AWG OD:9.0 (1/0.41Cu*1P+1/0.32Cu+AL)*5+1/0.32Cu*4C+AL+D1/0.32Cu+96AM+PVC
2	Gun black zinc alloy shell
3	clear PE inner molding
4	HDMI 19 Pin connector nickel plated

ITEM NUMBER	11.04.5685			DRAWER	YU
TITLE	ROLINE HDMI Ultra HD Cable + Ethernet, 10m, black			CHECKED	
MATERIAL		SCALE		APPROVED	
REV.	A	UNIT	INCH		
DRAWING NO:	SECOMP				