

rotronic

Datenblatt - Fiche technique - Data sheet

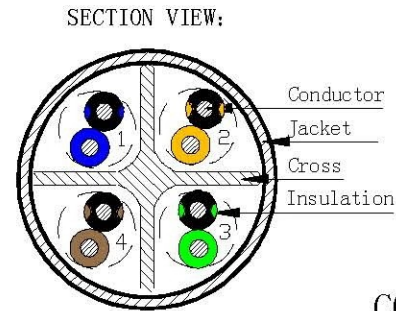
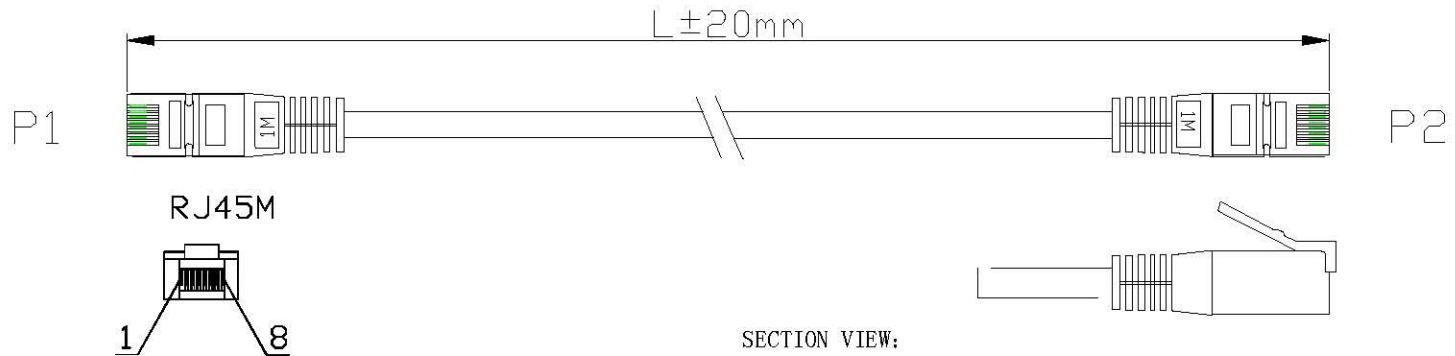
S1700 ~ 1710



UTP-Patchkabel konf. Kat. 6

Câble patch UTP confectionné, Cat.6

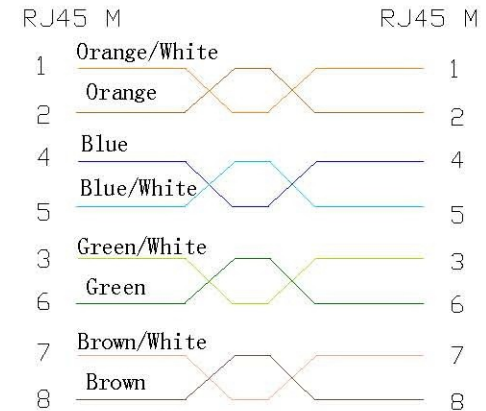
UTP Patch Cord, Cat.6



Product Specification

1. Jacket:OD5.1±0.10mm;Beige;PVC
 2. Conductor:26AWG, 7/0.155±0.003mm, CCA
 3. Connectors:CAT.6 RJ45 M to RJ45 M;Pin Gold Plated Fu
 4. Length:Any Length/at Customer's Option
 5. Cable Printing: U/UTP CAT6 CABLE 4×2×AWG26/7 PATCH TYPE
 6. RoHS
 7. Quality standard: Cat6 Channel Test Pass,
- Test Instruments: Fluke DTX-1800

CONNECTION DIAGRAM



LIST				
Jacket		standard items	Length	Meter marking
material	Colour	-	L(mm)	X
PVC	Beige (PANTONE# 420C)	S1700	500(+20,-10)	0.5
		S1701	1000(+20,-10)	1.0
		S1702	2000(+20,-10)	2.0
		S1703	3000(+20,-10)	3.0
		S1705	5000(+100,-50)	5.0
		S1707	7000(+100,-50)	7.0
		S1710	10000(+100,-50)	10.0

ITEM NO	S1700 ~ S1710					
ITEM	NAME	DATE	REMARK	Material:		Cat.6 UTP Patch Cord
DRAW	Li	2011.10.20		Weight	Scale	
CONFIRM						rotronic
APPROVAL						